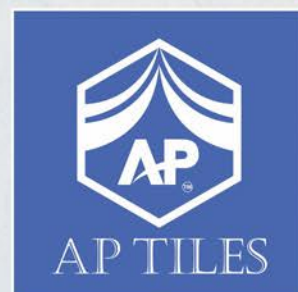


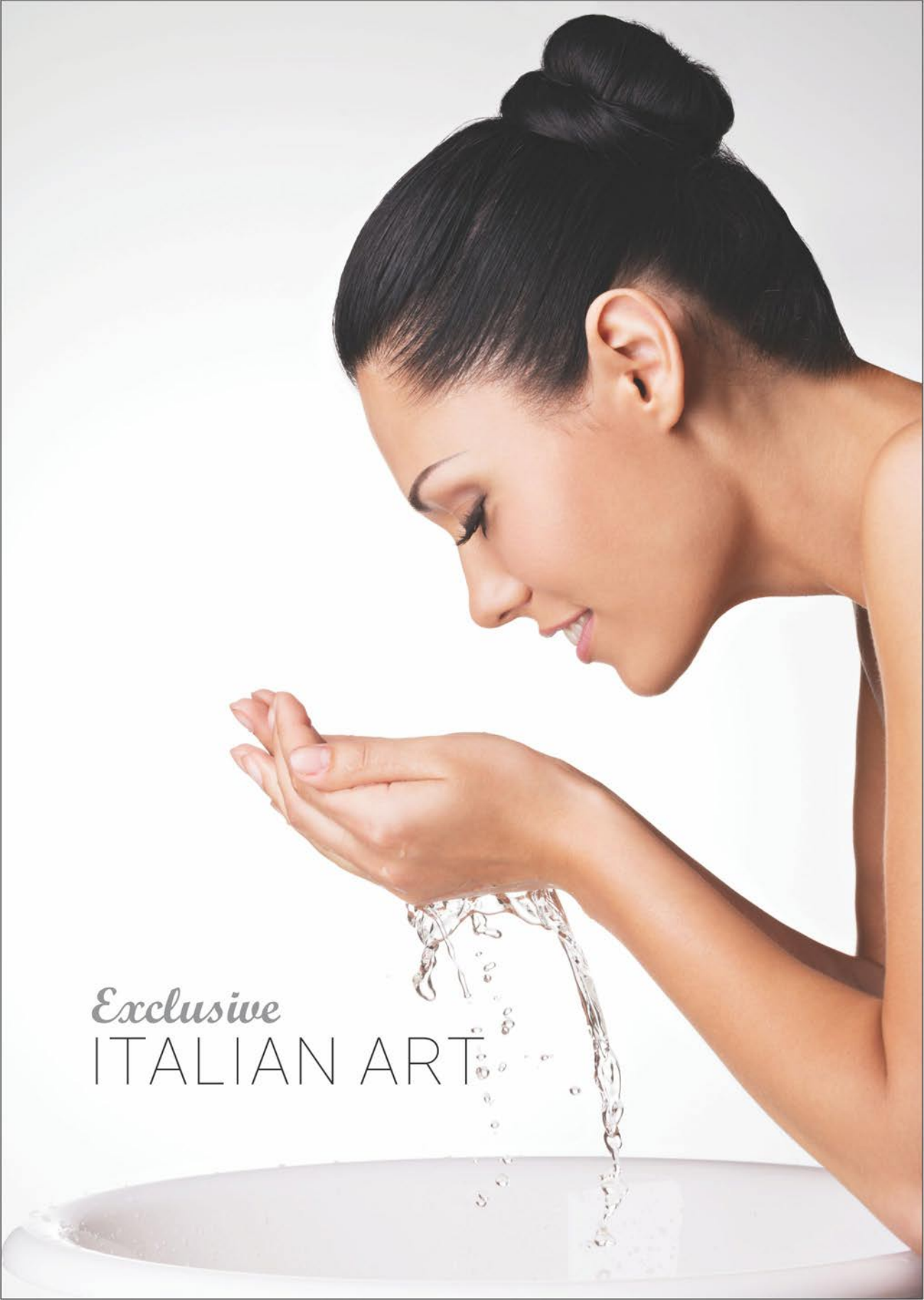


Where You Can Buy Trust



EXCLUSIVE
SANITARY
WARE





Exclusive
ITALIAN ART



INDEX

ONE PIECE.....	05
WALL HUNG.....	08
WATER CLOSET.....	10
TABLE TOP.....	12
WASH BASIN.....	17
COUNTER BASIN.....	19
ONE PIECE BASIN.....	20
HALF PEDESTAL.....	22
WASH BASIN PEDESTAL.....	23
PAN / URINAL.....	27
DESIGNER COLLECTION.....	29
SEAT COVER.....	57

ONE **PIECE**

NEW

FAST WASH
AESTHETIC
& HYGIENE
4D TECHNOLOGY
BEGINNING OF A NEW ERA
OF 4D TECHNOLOGY

AUDI - S (Syphonic)
28"x16"x30"
Central of outlet to wall - 8"/12"



Soft Close



Syphonic



Tornado Flushing
System



Rimless



PAJERO - S (Syphonic)
 26"x14"x30"
 Central of outlet to wall - 8"/12"



LUNAR - S (Syphonic)
 26"x15"x30"
 Central of outlet to wall - 8"/12"



AMEO - S (Syphonic)
 26"x14"x31"
 Central of outlet to wall - 8"/12"



RADO - S (Syphonic)
 26"x14"x29"
 Central of outlet to wall - 8"/12"



BRAVO - S (Syphonic)
 25"x14"x30"
 Central of outlet to wall - 8"/12"



DIAMOND - S/P
 26"x14"x31"
 Central of outlet to wall - 9"



VIVA - S/P
26"x14"x29"
Central of outlet to wall - 9"



SCOP - S/P
26"x14"x29"
Central of outlet to wall - 4"/9"



SENISTO - S/P
26"x14"x29"
Central of outlet to wall - 9"



COCO - S/P
27"x14"x29"
Central of outlet to wall - 9"



VEGA - S/P
26"x14"x29"
Central of outlet to wall - 9"



COSMO - S
27"x14"x29"
Central of outlet to wall - 9"



VENTO - S/P
28"x15"x28"
Central of outlet to wall - 9"



POLO - S/P
28"x15"x26"
Central of outlet to wall - 9"



NEW



IBIS
22"x14"x14"



SMITH
20"x14"x14"



ACCORD
21"x15"x14"



SENISTO - 2
21"x15"x17"



LENOVA
19"x14"x14"



SOYOTO
19"x14"x15"



ALTO
21"x14"x15"



ENIGMA
19"x14"x15"



OTTO
22"x14"x14"



CLASSIC
20"x14"x14"



ROB
20"x14"x15"



BABY
19"x14"x14"

WATER CLOSET



KENZO - S/P
21"x14"x16"



KOBRA - S/P
22"x14"x16"



TORO
21"x14"x16"



SELVO CONCEALED E.W.C. - S
23"x15"x16"



PERRYWARE E.W.C. - S
22"x15"x17"



PERRYWARE E.W.C. - P
22"x15"x17"



ANGLO INDIAN E.W.C. - S
23"x18"x16"



ANGLO INDIAN E.W.C. - P
21"x18"x16"



ROCKET
24"x15"x5"



TOPIC
28"x14"x5"



CAPITAL ●
28"x14"x7"



KORA
28"x15"x6"



KERA ●
24"x15"x7"



LUCO ●
24"x17"x6"



SMART
23"x17"x5"



LIZA ●
23"x20"x6"



RADON
19"x15"x5"



BREZZA
21"x16"x5"



SPIRIT GOLD ●
20"x16"x7"



TESSA
22"x15"x5"



SWIFT
19"x15"x5"



SENISTO - 3 ●
20"x19"x8"



MONO
18"x16"x6"



LENOVO
18"x15"x5"



EURO
16"x16"x6"



NOVA
16"x16"x6"



SELIO
17"x17"x6"



SEZ ●
16"x16"x5"



LEO
13"x12"x5"



RIYO
14"x14"x5"



ALVIN ●
15"x15"x5"



SONY
14"x14"x6"



CROMA
19"x15"x5"



ZEN
17"x13"x5"



CAMPUS
16"x16"x6"



ABRA
24"x12"x4"



CAPSULE
20"x13"x5"



CRUZE
18"x12"x6"



NOTTO ●
22"x15"x7"



AFFIL
22"x15"x7"



SPENZO
18"x14"x7"



VITARA
17"x17"x6"



AROUND
16"x16"x6"



TITLE
15"x15"x6"



NIKI
17"x11"x6"



STAR
16"x16"x6"

WASH BASIN



RIWA
19"x15"x7"



SOGO
15"x11"x5"



FLORA
10"x13"x5"



SHIPLA
16"x10"x5"



RUBY
14"x9"x6"



STEFIN
18"x12"x8"

WASH BASIN



ROYAL
18"x14"x7"



SHARP
18"x13"x7"



SHALLY
15"x10"x7"



AMPLE
14"x13"x5"



TECCO
12"x12"x5"



SONA
23"x18"x5"



MOTTO
16"x17"x5"



SATIN CORNER
17"x17"x8"



SILK CORNER
14"x14"x7"

COUNTER BASIN



REX
25"x19"x7"



SENDY
24"x18"x6"



BELLY
24"x18"x5"



OPAL
23"x19"x8"



REMBO
22"x16"x8"



SIMPLE
18"x13"x8"

ONE PIECE **BASIN**



DIAMOND
16"x16"x33"



CRETA
18"x18"x32"



RICH
18"x15"x33"

ONE PIECE **BASIN**



SCORPIO
15"x15"x34"



SESA
15"x15"x34"



TOTO
17"x17"x34"

HALF PEDESTAL **BASIN**



SALSA
18"x18"x14"



DOVEL
19"x17"x13"



DOVE
19"x17"x13"



SELVI HALF SET ●
23"x20"x22"



ROLEX HALF SET ●
22"x19"x20"



MAPS HALF SET
23"x19"x19"



JOYO HALF SET
18"x14"x19"



SCOOTY HALF SET
20"x15"x21"

WASH BASIN **PEDESTAL**



QUTO
22"x18"x35"



DIAMOND
23"x21"x35"



KOYO
25"x18"x33"



OYO
24"x17"x32"



SELVI GOLD ●
23"x20"x35"



SONATA
22"x18"x33"

WASH BASIN **PEDESTAL**



SENISTO GOLD
25"x20"x35"



VISTA ●
22"x19"x34"



ROLEX ●
22"x19"x35"



MAPS
23"x18"x34"



RIWA
19"x15"x33"



JOYO
18"x14"x33"

WASH BASIN PEDESTAL



RAPID
25"x19"x36"



SOPHIA
23"x17"x35"



PRIME ●
23"x20"x35"



ERTIGA ●
24"x19"x35"



CAPTO ●
22"x17"x34"



SPENTA
22"x17"x40"

WASH BASIN **PEDESTAL**



DOLPHIN
18"x21"x35"



SCOOTY
20"x15"x36"



SERENA
24"x19"x39"



REPOSE
23"x16"x36"



SAMITE
21"x18"x35"

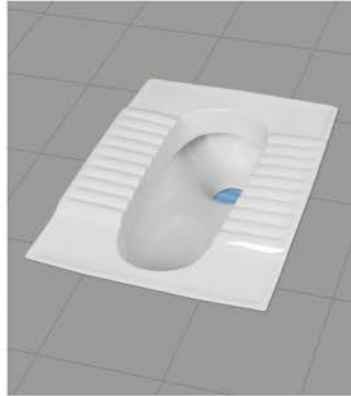


MINAL
22"x16"x36"

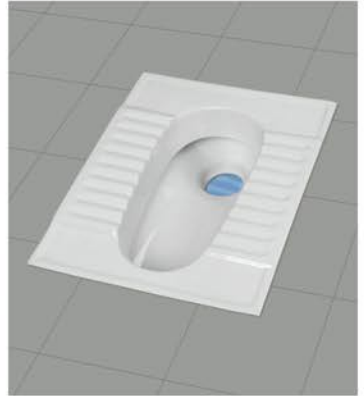
PAN & URINAL



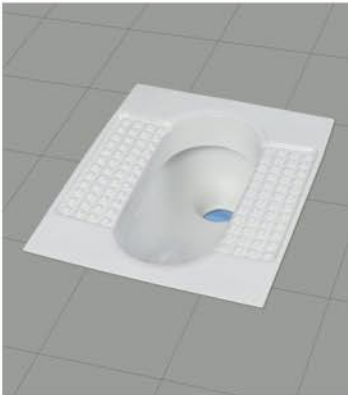
ORISSA PAN - 20"
20"x17"x10"



ORISSA PAN - 23"
23"x18"x10"



CT PAN - 20"
20"x16"x7"



AQUA PAN - 21" ●
21"x17"x11"



LARGE URINAL
15"x13"x25"



WIND
13"x12"x18"



NANO LARGE
13"x13"x17"



FLAT BACK
13"x11"x18"



SQUATTING URINAL
17"x13"x4"

ACCESSORIES



FLUSHING TANK 01 (10 Ltr.)



FLUSHING TANK 02 (10 Ltr.)



FLUSHING TANK 03 (10 Ltr.)



ONE PIECE FITTING SMART



LAB SINK
20"x15"x8"



P-TRAP BIG

COLOR RANGE

Regular



White



Ivory

Special



T. Blue



Pink



Magenta



Sorento Blue



Black

Note : Above printed colours may differ from colours of ceramic because printing limitation. For true selection, refer to actual sample or shade board.

Continuous innovation and improvement in manufacturing techniques and products are carried out regularly. We reserve the right to supply articles which may not correspond exactly with the particulars given in this catalogue.

DESIGNER

—collection—



DESIGNER TABLE **TOP**



SPENZO - 1001



SPENZO - 1007



SPENZO - 1009



SPENZO - 1010



SPENZO - 1011



SPENZO - 1013



SPENZO - 1014



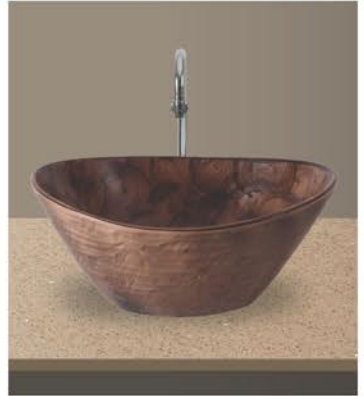
SPENZO - 1015



SPENZO - 1016



SPENZO - 1017



SPENZO - 1018



SPENZO - 1020



TITLE - 4001



SELIO - 12001



SELIO - 12002



SELIO - 12003



SELIO - 12004

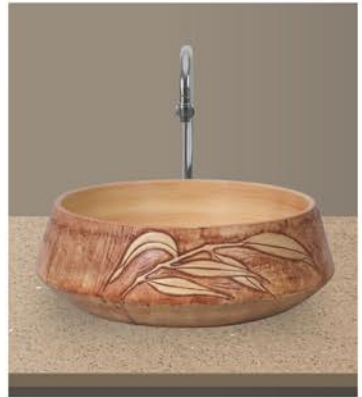
DESIGNER TABLE **TOP**



VITARA - 9006



VITARA - 9001



VITARA - 9002



VITARA - 9003



VITARA - 9004



VITARA - 9005

DESIGNER TABLE **TOP**



VITARA - 9014



VITARA - 9007



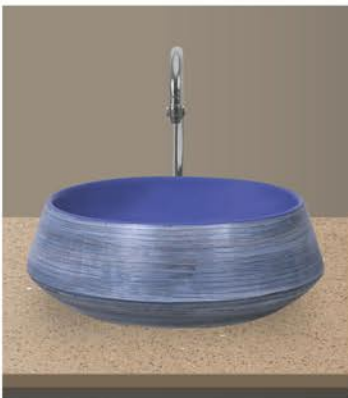
VITARA - 9008



VITARA - 9009



VITARA - 9010 ●



VITARA - 9011



VITARA - 9012 ●



VITARA - 9013

DESIGNER TABLE **TOP**



CAPSULE - 7007



CAPSULE - 7005



CAPSULE - 7006



AROUND - 801



AROUND - 802



AROUND - 803



AROUND - 805



AROUND - 806

DESIGNER TABLE TOP



SWIFT - 11006



SWIFT - 11001



SWIFT - 11002



SWIFT - 11003



SWIFT - 11004



NOVA - 13001

DESIGNER TABLE TOP **TOP**



NOVA - 13004



NOVA - 13002



NOVA - 13003



CAMPUS - 001



CAMPUS - 002



CAMPUS - 003



CAMPUS - 004



CAMPUS - 006

DESIGNER TABLE TOP



CAMPUS - 011



CAMPUS - 008



CAMPUS - 009



CAMPUS - 012



RADON - 2001



RADON - 2002



RADON - 2004

DESIGNER TABLE TOP



KORA - 10003



KORA - 10001



KORA - 10002



KORA - 10005



KORA - 10006



CAPITAL - 15001



CAPITAL - 15002



CAPITAL - 15003

DESIGNER TABLE **TOP**



ZEN - 3005



ZEN - 3003



ZEN - 3004



ZEN - 3006



RIYO - 16001



RIYO - 16002



RIYO - 16003



RIYO - 16004

DESIGNER TABLE TOP



ROCKET- 5001



ROCKET- 5002



ROCKET- 5003



EURO - 6001



EURO - 6002



CROMA - 7001



SWIFT - D2



SWIFT - D1



SWIFT - D3



SWIFT - D4

DESIGNER
ONE PIECE **BASIN**



DIAMOND - 201

NEW



DIAMOND - 202

NEW



DIAMOND - 203

NEW

DESIGNER
ONE PIECE **BASIN**



TOTO - 602



TOTO - 601



TOTO - 603



TOTO - 604



TOTO - 607 ●



DESIGNER
ONE PIECE **BASIN**



SESA - 504



SESA - 502



SESA - 503 ●



SESA - 505



SESA - 506 ●



SESA - 507 ●



SESA - 508



SESA - 509

DESIGNER
ONE PIECE **BASIN**



SESA - 515



SESA - 510



SESA - 511



SESA - 512 ●



SESA - 513



SESA - 514



SESA - 516



SESA - 517 ●

DESIGNER
ONE PIECE **BASIN**



RICH - 701



RICH - 702



RICH - 703



RICH - 704



RICH - 705



RICH - 708 ●



RICH - 706

DESIGNER
ONE PIECE **BASIN**

NEW



SCORPIO - 915



SCORPIO - 901



SCORPIO - 902



SCORPIO - 903 ●



SCORPIO - 904



SCORPIO - 905



SCORPIO - 906



SCORPIO - 907

DESIGNER
ONE PIECE **BASIN**



SCORPIO - 908



SCORPIO - 909



SCORPIO - 910



NEW

SCORPIO - 911



NEW

SCORPIO - 912



NEW

SCORPIO - 913



NEW

SCORPIO - 914



NEW

SCORPIO - A1

DESIGNER
ONE PIECE **BASIN**



SESA - J6



SESA - J1



SESA - J4



SESA - J5



RAPID - 9001



DIAMOND - 9050

DESIGNER
WASH BASIN **PEDESTAL**



DOLPHIN SET - 403



DOLPHIN SET - 401



DOLPHIN SET - 404



DOLPHIN SET - 405



DOLPHIN SET - 406 ●

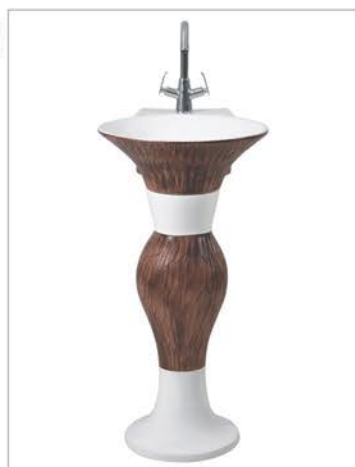


DOLPHIN SET - 407

DESIGNER
WASH BASIN **PEDESTAL**



DOLPHIN SET - 415



DOLPHIN SET - 408 ●



DOLPHIN SET - 410 ●



DOLPHIN SET - 411 ●



DOLPHIN SET - 412 ●



DOLPHIN SET - 413



DOLPHIN SET - 414



DOLPHIN SET - 416 ●

DESIGNER
WASH BASIN **PEDESTAL**



SERENA SET - 301



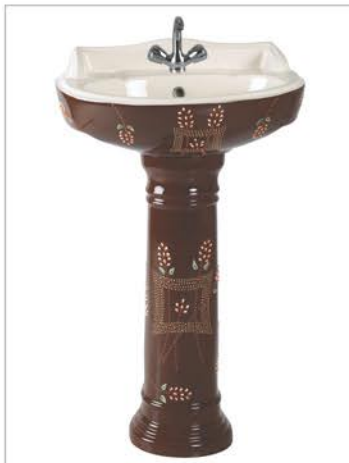
SERENA SET - 303



SERENA SET - 304 ●



SERENA SET - 305



SERENA SET - 307



SERENA SET - 308

DESIGNER
WASH BASIN **PEDESTAL**



SERENA SET - 309



SERENA SET - 310 ●



SERENA SET - 311



SERENA SET - 312 ●



SERENA SET - 314



SERENA SET - 315



SERENA SET - 317 ●



SERENA SET - 319 ●



SERENA SET - 320 ●

DESIGNER
WASH BASIN **PEDESTAL**



SERENA SET - 321



SERENA SET - 322



SERENA SET - 323 ●



SERENA SET - 324 ●



SERENA SET - 325



SERENA SET - 326 ●



SERENA SET - 327



DESIGNER ONE **PIECE**



SCOP - K2



SCOP - K3



LUNAR - K5



LUNAR - K7



DIAMOND - K8

DESIGNER WALL **HUNG**



ROB - Z1



ACCORD - Z2

BLACK COLLECTION



LUNAR ONE PIECE - F1

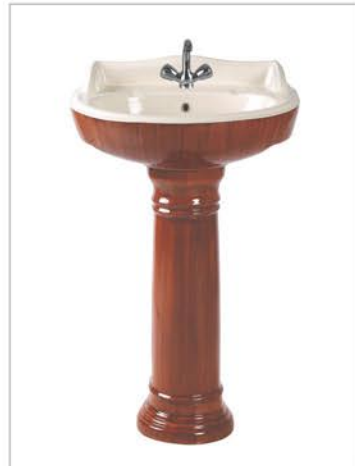


LUNAR ONE PIECE - F2

WOODEN COLLECTION



MINAL SET WOODEN



SERENA SET WOODEN



PERRYWARE WOODEN

SEAT COVER



784



735



505



743



735



506



509



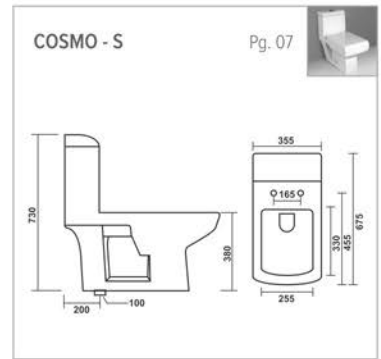
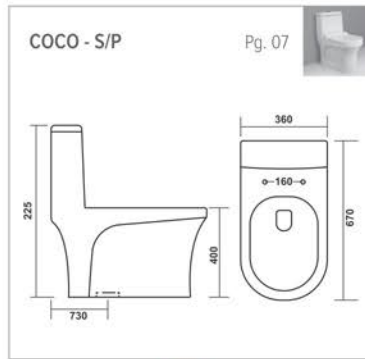
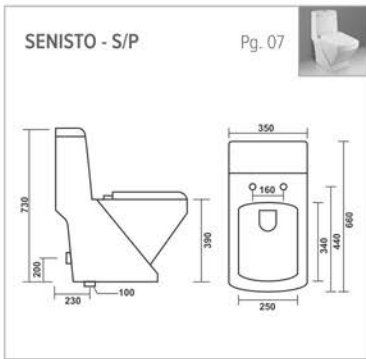
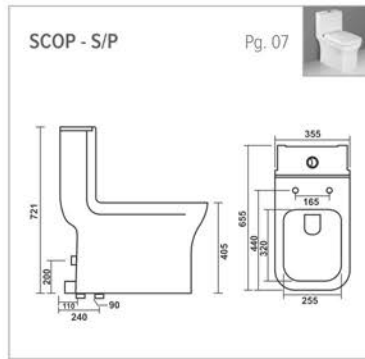
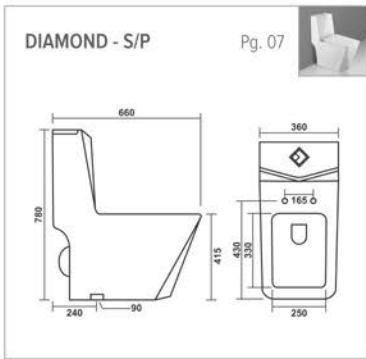
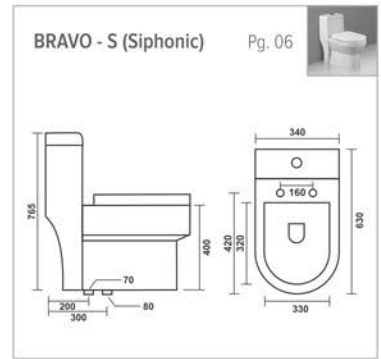
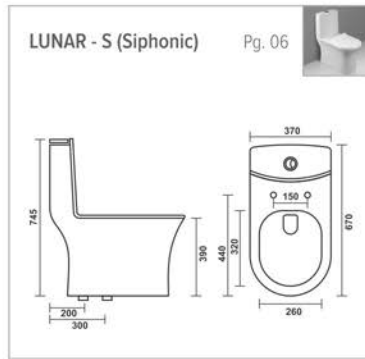
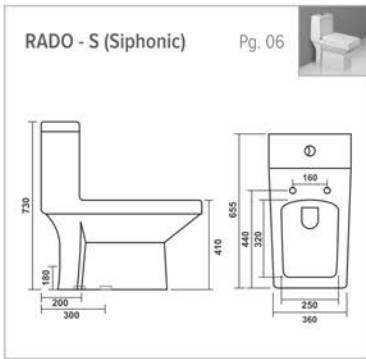
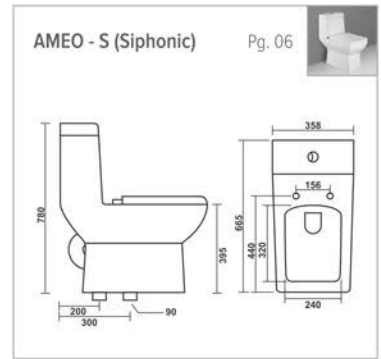
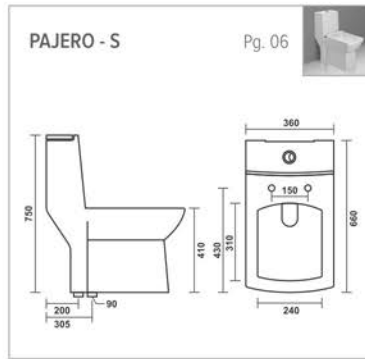
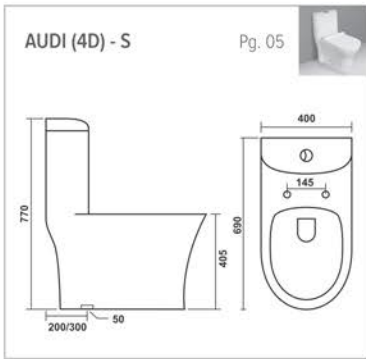
780

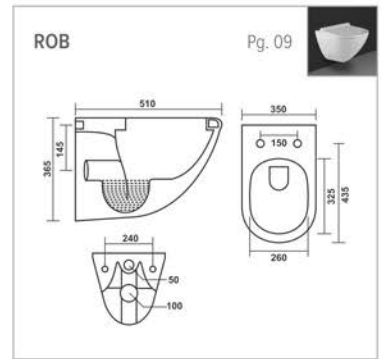
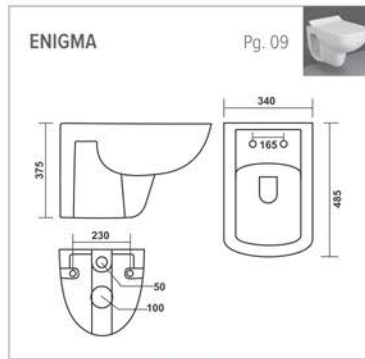
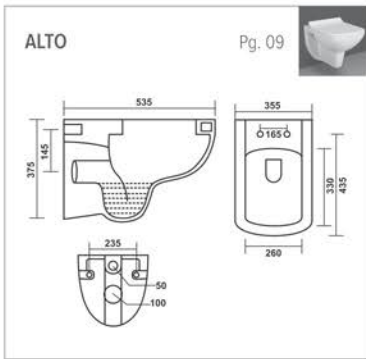
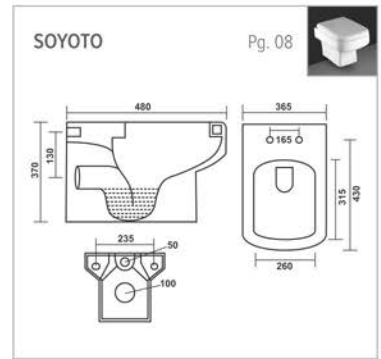
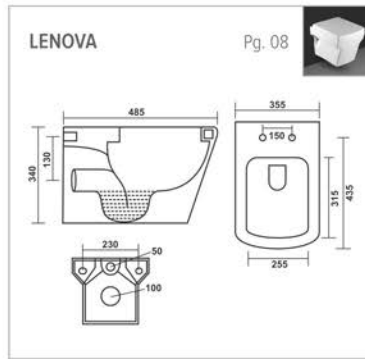
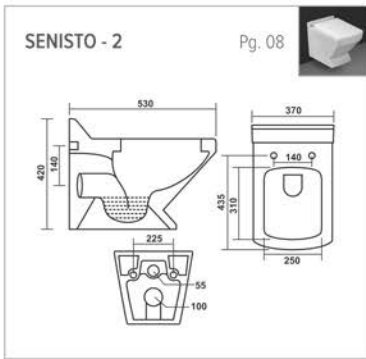
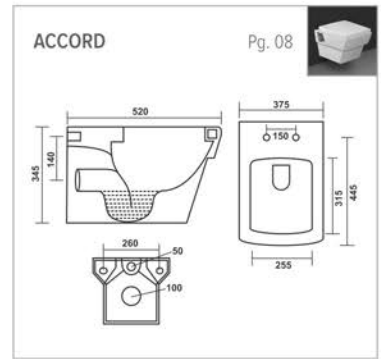
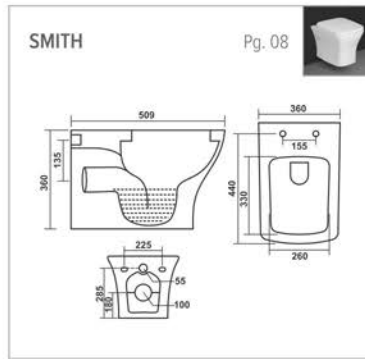
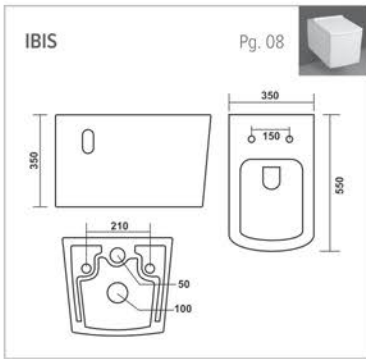
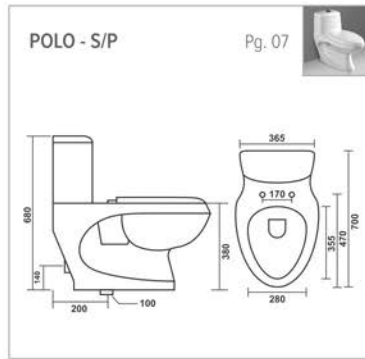


702



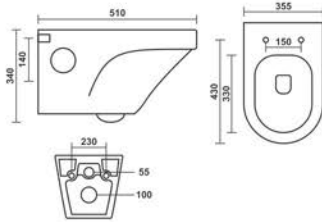
792





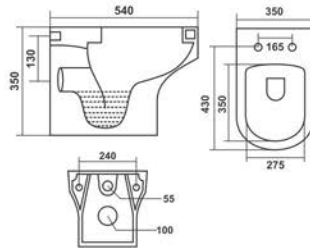
CLASSIC

Pg. 09



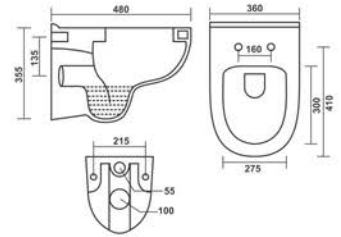
OTTO

Pg. 09



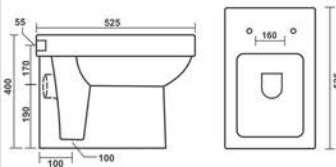
BABY

Pg. 09



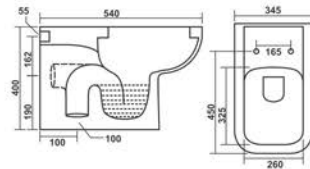
KENZO-S/P

Pg. 10



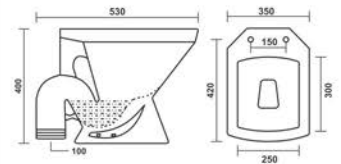
KOBRA - S/P

Pg. 10



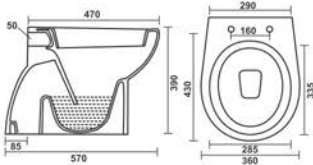
TORO

Pg. 10



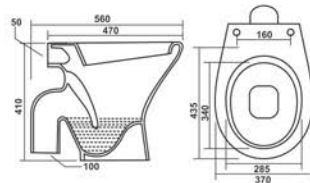
SELVO CONCEALED E.W.C. - S

Pg. 10



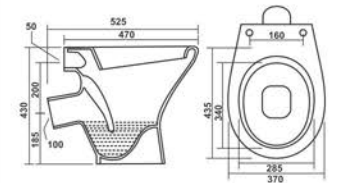
PERRYWARE E.W.C. - S

Pg. 11



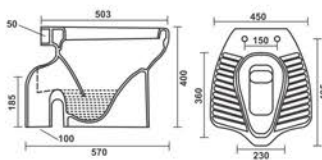
PERRYWARE E.W.C. - P

Pg. 11



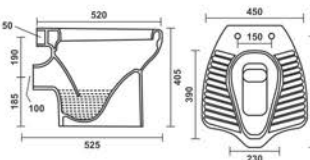
ANGLO INDIAN E.W.C. - S

Pg. 11



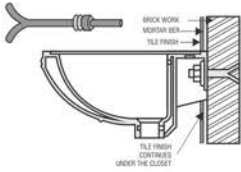
ANGLO INDIAN E.W.C. - P

Pg. 11



TOUBLE SHOOTING GUIDE

ITEM	PROBLEM	PROBABLE REASONS	CORRECTIVE ACTIONS
Wash Basins / Table Top	1. Overflow Chocked And Foul Bed Odor	Waste Coupling Used May Be Full Threaded	Waste Coupling Should Be Changed To Slot Cut Coupling
	2. Water Deposit On Tap Platform Area And Inside Bowl Area	Basin Is Not Fixed In Level Or Bracket Is Not In Level	Should Be Done By Proper Leveling
	3. There Is No Tap Hole In Basin	Tap Hole Could Be Semi Punched From Back Side	Tap Hole Should Be Created By Plumber From Sempunched Area
Ewc / Pan / Anglo Indian	1. Water Not Coming In Bowl Area While Flushing	Flush Bend Is Not Inserted Up To The End Of Inlet Hole	Insert The Flush Pipe Up To The End Of Inlet (For Pan Closet: Check Whether Flush Pipe Is Not Covering Flush Hole Which Is In Both Side Of Inlet Wall
		Closet / Pan May Be Not Leveled	Should Be Done By Proper Leveling
One Piece Closet	1. Water Not Coming In Bowl Area While Flushing	Mechanism Inside Tank Could Not Working Properly	Change The Centre Pump Of Mechanism
		There Is No Water In Flush Tank	Increase The Ball Cock Height To The Max Level
	2. Water Is Continuously Leaking Inside The Bowl	Mechanism Inside Tank Could Not Working Properly	Change The Centre Pump Of Mechanism
	3. Water Quantity Insufficient For Effective Flushing	Ball Cock Height Adjusted At Lower Level	Increase The Ball Cock Height To The Max Level
4. Uneven Flow Of Water From Both Side Of Closet	Closet Is Not Leveled Properly	Closet Should Be In Proper Level	
Wallhung Water Closet	1. Water Not Coming In Bowl Area While Flushing	Flush Valve May Not Working Properly / Concealed Cistern Is Not Working Properly	Should Change Flush Valve / Concealed Cistern
		Flush Pipe Is Not Inserted Up To The End Of Inlet Hole	Insert The Flush Pipe Up To The End Of Inlet
	2. Water Is Continuously Leaking Inside The Bowl	Closet Is Not Leveled Properly	Closet Should Be In Proper Level
3. Water Quantity Insufficient For Effective Flushing	Connection Between Closet Outlet And Drainage Pipe Is Not Proper	Should Be Done By Proper Connection By Experienced Plumber	
Couple Closet (2 Pcs Closet)	1. Uneven Flow Of Water From Both Side Of Closet Bowl	Both Arm Of Diverter Pipe Not Inserted Equally In Both Side Of The Closet	Both Arm Of Diverter Pipe Should Be Inserted Equally In Both Side Of The Closet
		Diverter Pipe Not Fixed Properly In The Outlet Of Cistern	Diverter Pipe Should Be Fixed Properly In The Outlet Of Cistern
	2. Water Is Leaking Between The Cistern And Closet	Rubber Ring Containing Bolt Is Not Tightened Properly	Rubber Ring Containing Bolt Should Be Tightened Properly



WALL HUNG BASIN

As per shown in the picture, the rag bolt must be grouted into the cement/concrete wall. The bolts must be fixed to the cement/concrete wall. Allow setting & checking than install it using nut and washer.

COUNTER WASHBASIN

At the beginning

1. A skilled or experienced person should install counter lavatories.
2. Avoid using adhesive with this product.
3. Check the waste area and supply tubing if required.
4. Do not open the lavatory from its protective carton until you are ready for installation.
5. Please follow all local building and plumbing codes.



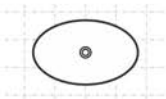
MATERIAL & TOOLS

Measure tape, Keyhole or saber saw, Hammer, Glasses, Rags or Paper toweling, Drill (1/2 dia, drill bit or larger), Pencil, sealant, sharp knife or scissors.

INSTALLTION OF LAVATORY

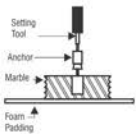
Please Note : Please install it in a way that future removal from underneath the counter top is possible without damaging the counter top.

1. Please check the desired location for clearance between the back splash, faucet, Fixture and cabinet.
2. Please cut the template.
3. Please carefully trace the template on the counter top directed.
4. Please mark the faucet hole centerline on the counter top.
5. Please drill a 1/2" pilot on the inside of the cut line.



For Wood Counter tops:

1. Mark and per-drill the wood screw holes at the locations shown on the template.
2. Waterproof any exposed areas of wood.



For Marble Counter tops:

1. Position the counter top upside down on foam padding to protect the surface. Mark and drill 3/6" holes 5/8" deep at the locations shown on the template.
2. Use a setting tool and hammer to secure the anchors.



For All Installations:

1. If the counter top has not been installed, install it at this time.
2. Drill the faucet holes according to the faucet installation instructions.
3. Install the faucet to the counter top according to the manufacture's instructions.
4. Install the drain to the lavatory according to the manufacture's instructions.



Lucknow Branch Office

📍 Plot No. 428, Aurangabad Jagir,
Amar Saheed Path, Raja Bijli Pasi,
Lucknow-226012, UP, India.

Regd. Office: AP Ceramic

📍 Akshar Complex, First Floor, Office 108,
NR. 8-A, National Highway,
B/h. Shakti Chamber, Morbi-363642,
Gujarat, India.

✉ ap.ceramic2@gmail.com

🌐 www.aptiles.com